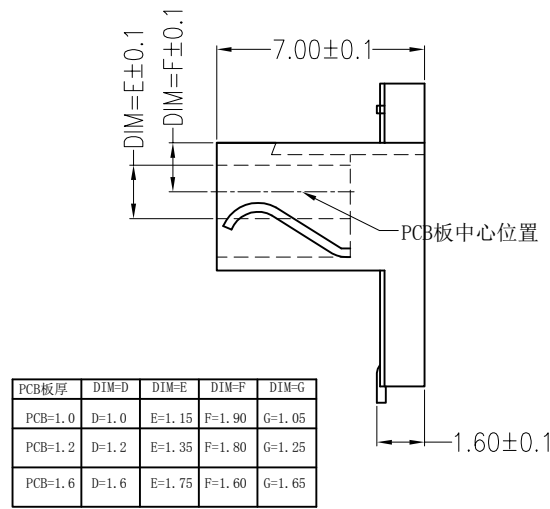
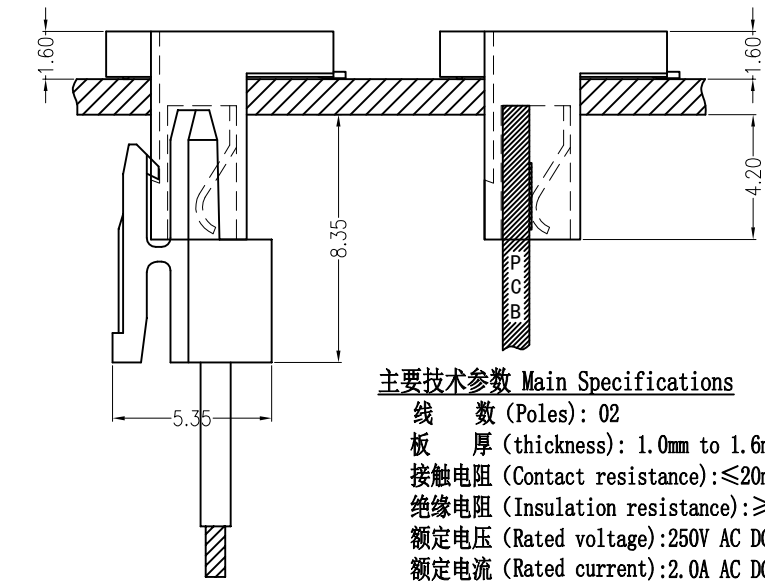
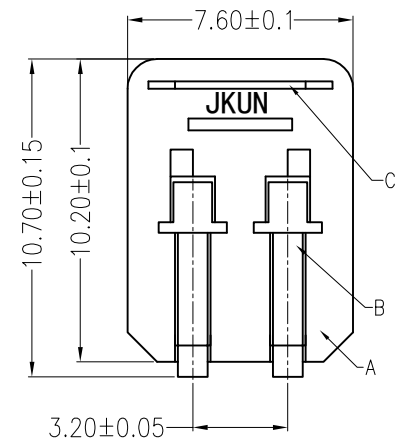


REV	DESCRIPTION	DESIGN	DATE
A0	Release	吴丹平	2017.03.23



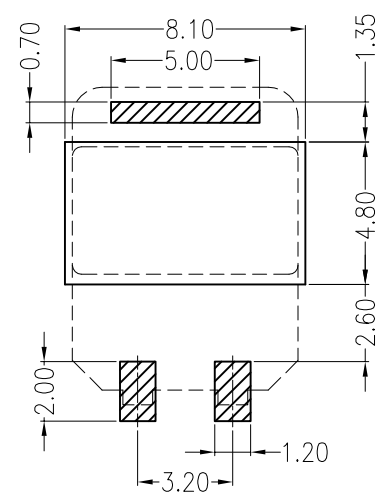
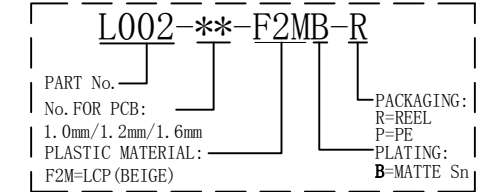
PCB板厚	DIM-D	DIM-E	DIM-F	DIM-G
PCB=1.0	D=1.0	E=1.15	F=1.90	G=1.05
PCB=1.2	D=1.2	E=1.35	F=1.80	G=1.25
PCB=1.6	D=1.6	E=1.75	F=1.60	G=1.65



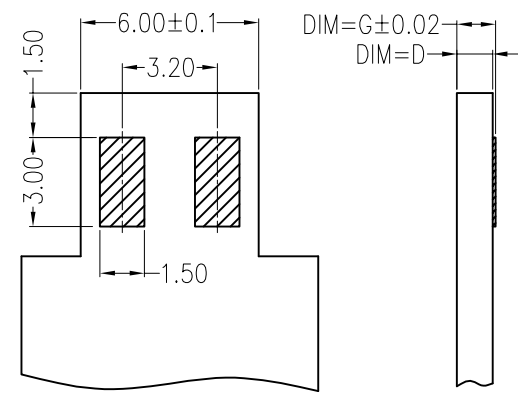
**主要技术参数 Main Specifications**

- 线 数 (Poles): 02
- 板 厚 (thickness): 1.0mm to 1.6mm
- 接触电阻 (Contact resistance):  $\leq 20m\Omega$
- 绝缘电阻 (Insulation resistance):  $\geq 1000M\Omega$
- 额定电压 (Rated voltage): 250V AC DC
- 额定电流 (Rated current): 2.0A AC DC
- 耐 电压 (Withstand Voltage): 1000V AC/minute
- 温度范围 (Temperature Range):  $-25^{\circ}C \sim +105^{\circ}C$

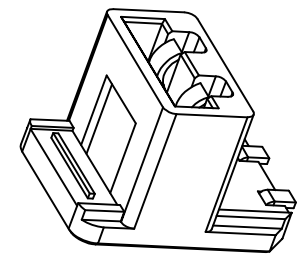
**ORDER INFORMATION:**



**Board Layout**



**Mating PCB detail**



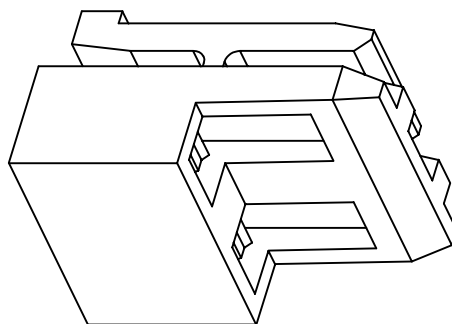
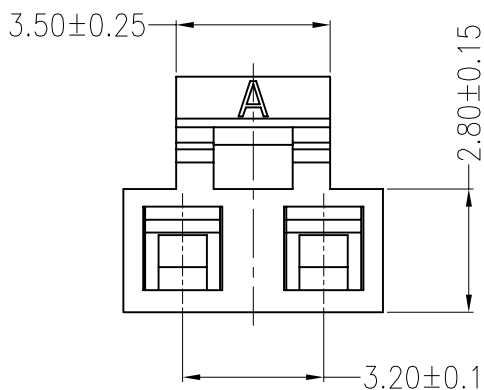
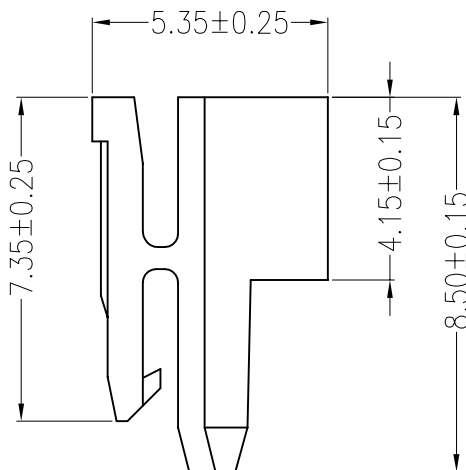
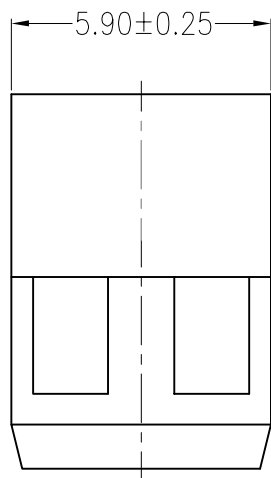
ITEM	COMPONENT	Q'TY	MATERIAL	FINISH
C	SOLDER TAB	2 PCS	PhosphorBronze	MATTE Sn-plated
B	CONTACT	2 PCS	PhosphorBronze	MATTE Sn-plated
A	PEDESTAL	1 PCS	LCP	UL 94V-0, COLOR:BEIGE

**东莞市高迪电子有限公司**  
DONG GUAN GAO DI ELECTRONICS CO., LTD

TITLE: -  
3.2mmPITCH 180°WAFER SMT TYPE

X.±0.5	X.±5'	USE: CUSTOMER	PART NO.:	
.X±0.3	.X±2'		L002-**-F2MB-R	
.XX±0.25	.XX±1'	APPD: 邵敬和	DWG NO.:	
--	--	CHKD: 田峰	GCCP-0003	
	UNITS: mm	DR: 吴丹平	SCALE 1 : 1	SHEET 1 / 1

客户料号:



**主要技术参数 Main Specifications**

- 线 数 (Poles): 02
- 接触电阻 (Contact resistance):  $\leq 20\text{m}\Omega$
- 绝缘电阻 (Insulation resistance):  $\geq 1000\text{M}\Omega$
- 额定电压 (Rated voltage): 250V AC DC
- 额定电流 (Rated current): 2.0A AC DC
- 耐 电 压 (Withstand Voltage): 1000V AC/minute
- 温度范围 (Temperature Range):  $-25^{\circ}\text{C} \sim +85^{\circ}\text{C}$

**ORDER INFORMATION:**

<b>L002-02-B1M-P</b>	
PART No. _____	PACKAGING: _____
No. OF CIRCUITS: _____	R=REEL
02	P=PE
PLASTIC MATERIAL: _____	
B1M=PA46 (BEIGE)	

**JKUN 乐清市健坤接插件有限公司**  
YUEQING JIANKUN CONNECTOR CO., LTD.

APPROVED BY  
邵敬和

UNIT  
mm

TOLERANCE

LTP.

REVISION RECORD

NAME

DATE

NO.

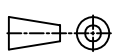
DESCRIPTION

QTY

MATERIAL

PLATING/COLOR

CHECKED BY  
胡肖丰



SCALE

X.XX ±0.20

②

FULL

X.XXX ±0.10

③

DRAWN BY  
张一荣

DATE  
2014.03.18

REVISION

ANGLE

④

A/1

X° ±3.0°

⑤

MODEL NO: L002Y-02-B1M-P

MODEL NAME: 3.20mm PITCH Housing

DwgNo. JKUN/GCCP-0004